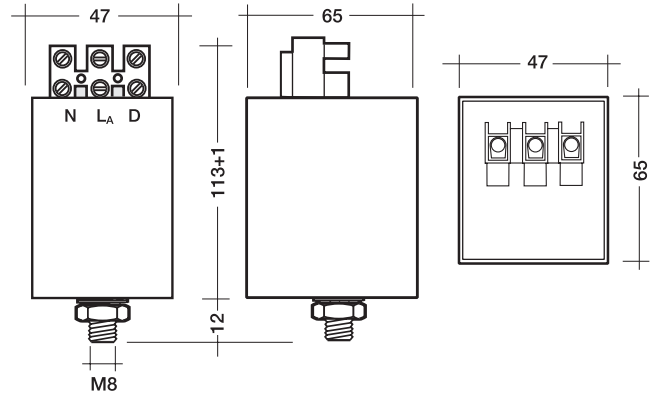


ZRM 20-ES/B 400 ULAG

Superimposed Pulse Ignitor

ULTRALIGHT
UV-TECHNOLOGY



technical specifications

nominal voltage	360 – 490 V
mains frequency	50/60 Hz
ignition voltage	5.0 – 6.5 kV
Max. permissible lamp current I_B	20 A
ignition current	≈ 120 mA
self-heating at $I_B = 20$ A	≈ 36 K
losses at $I_B = 20$ A	≈ 9.2 W
puls width at 3000 V	≥ 1.0 μ s
number of pulses per mains halfwave	1 – 2
distance between pulses	< 0.3 ms
Phase displacement of ignition pulses	60-90 / 240-270°el
Switch off/on voltage	320-360 V
max. capacitive load	20-100 pF
max. cable length to lamp	1.5 m
max. container temperature t_a	105°C
min. ambient temperature t_a	-30°C
weight	750 g

circuit diagramm

