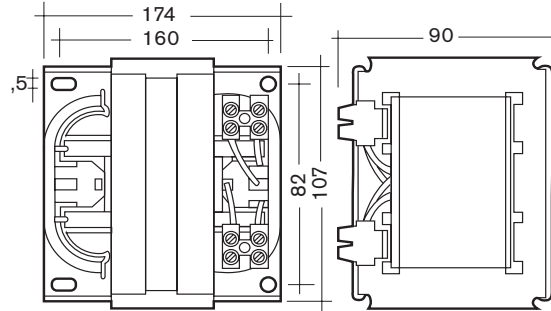


D 1000 FH

choke for 50% /100 % power steps



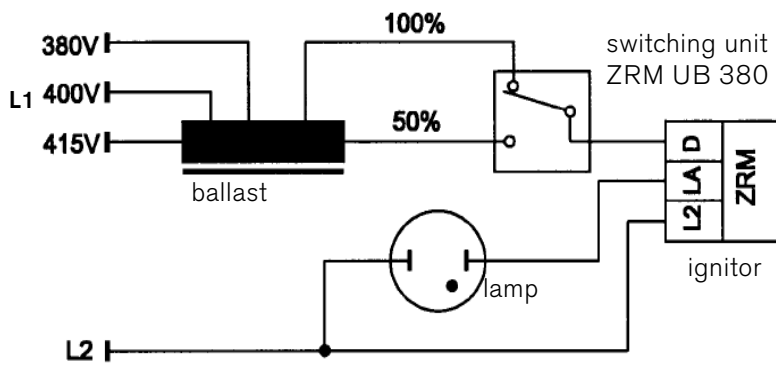
dimensions in mm.

screw terminal 1.0-4.0 mm²

Technical Specifications

Lamp power	1000 W
Voltage	380/400/415 V
Current	4.4 A
Mains frequency	50 Hz
T _w 1)	130 °C
Internal consumption ²⁾	65 W
λ	0.54
ΔT	70 °C
Weight	7.75 kg

circuit diagram



1) maximum coil temperature

2) mean value, measured at copper temperature 25°C

EN 60922/923